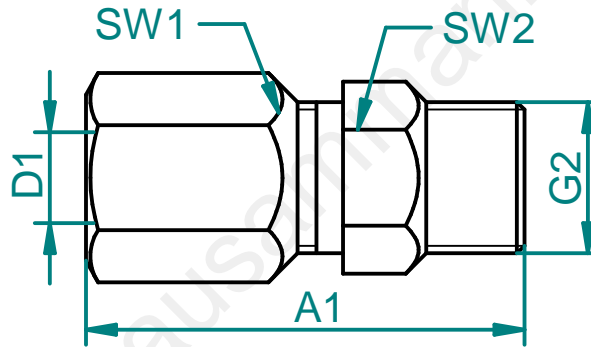


General tolerances ISO 2768-m						Index	Date	Visum	Modification	Index	Date	Visum	Modification
Basic-size	...6	> 6 ...30	> 30 ...120	>120 ...400	> 400 ...1000								
medium	±0.1	±0.2	±0.3	±0.5	±0.8								



Specifications points D,K,H	
D= doc.points	
K= critical	
H= main	

Accord-draw.no.:		Material:							
Origin-draw.no.:		Scale							
Replacement for:		2:1							
		<table border="1"> <tr> <th>Date</th> <th>Visum</th> <th>Phone</th> </tr> <tr> <td>06.07.11</td> <td>E.Z</td> <td></td> </tr> </table>		Date	Visum	Phone	06.07.11	E.Z	
		Date	Visum	Phone					
		06.07.11	E.Z						
76.142		<table border="1"> <tr> <th>Format</th> <th>Index</th> </tr> <tr> <td>A4</td> <td>00</td> </tr> </table>		Format	Index	A4	00		
Format	Index								
A4	00								
© 2010, Für dieses Dokument behalten wir uns alle Rechte vor.		© 2010, Nous nous reservons tous les droits sur ce document							
© 2010, We reserve all rights in connection with this document									